



# IGAP-6620+

**Industrial Dual RF in IEEE 802.11 a/b/g/n Wireless Access Point  
with 2x10/100/1000Base-T(X)**

## Features

- **High Speed Air Connectivity:** Dual RF in IEEE 802.11 a/b/g/n WLAN interface support up to 300Mbps link speed
- **Dual RF** for redundant wireless communication
- Highly Security Capability: WEP/WPA/WPA-PSK(TKIP,AES)/WPA2/WPA2-PSK(TKIP,AES)/802.1X Authentication supported
- Support **Long Distance Air Connectivity**
- Support X-Roaming < 60 ms
- Support wireless load balance
- Support external SMA antenna installation
- Support **Dual AP/Dual Client /Bridge /AP-Client Mode**
- Support **MAC/IP/Port Filter**
- Provide **Digital Inputs and Digital Outputs**
- Support Multiple-SSID to 4 SSID
- Wireless connecting status monitoring
- Secured Management by HTTPS
- 1KV isolation for PoE P.D. port
- Event Warning by Syslog, Email, SNMP Trap, and Relay output
- Rigid IP-30 housing design
- Pole-mount enabled



## Introduction

IGAP-6620+ is a reliable wireless Access Point with dual IEEE 802.11 a/b/g/n wireless modules and 2 Ethernet Gigabit ports with one PoE P.D. port. It can be configured to operate in Dual AP/Dual Client /Bridge /AP-Client Mode and supports MAC filters for security control. IGAP-6620+ provides a four reverse SMA connectors that can install any Wi-Fi antennas to extend communication distance. It is specifically designed for the toughest industrial environments. You are able to configure IGAP-6620+ by WEB interface via LAN port or WLAN interface. In addition, IGAP-6620+ also provides P.D. feature at ETH2 port which is fully compliant with IEEE802.3af PoE P.D. specification to save the layout cost of power line. IGAP-6620+ can be easily adopted in almost all kinds of applications and provides the most rugged solutions for manage your network. Therefore, IGAP-6620+ is one of the best communication solutions for wireless applications

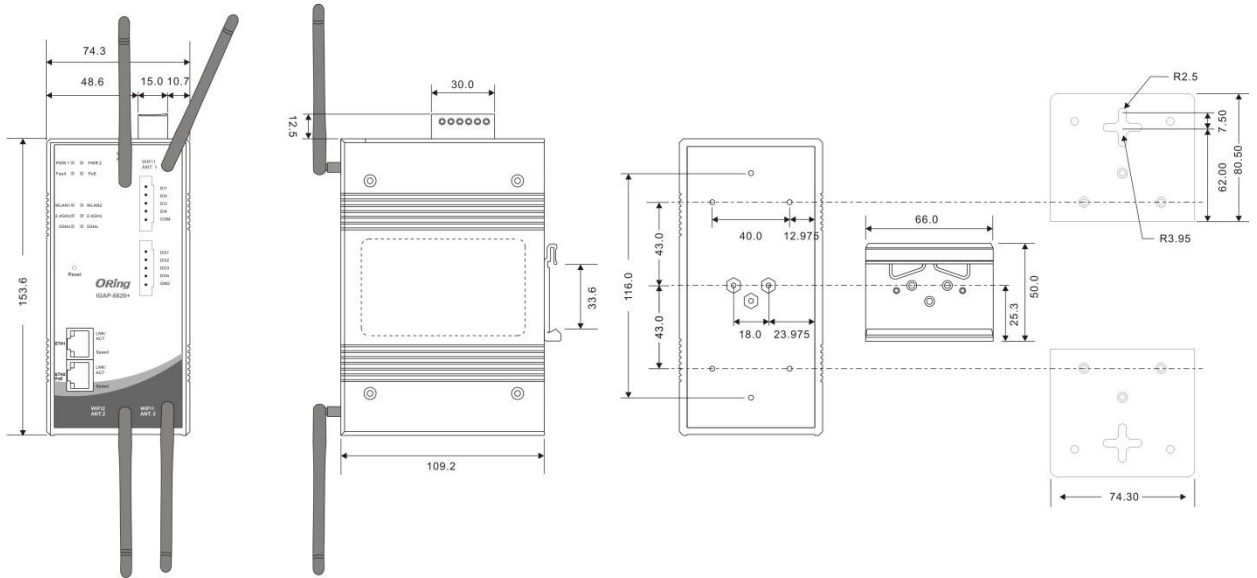
## Application

In practical operation of wireless access point, Windows utility (Open-Version) is supported. This utility is very helpful for you to search and configure IP of access point on the industrial network.

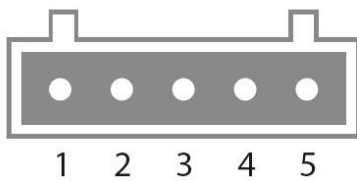
In addition, the wireless access point support various kinds of operation modes include Dual AP/Dual Client /Bridge /AP-Client Mode.

## Dimension

Dimension (Unit =mm)



## DI/DO Definition



### Digital Input Pin Definition

PIN	1	2	3	4	5
Function	DI1	DI2	DI3	DI4	COM

### Digital Output Pin Definition

PIN	1	2	3	4	5
Function	DO1	DO2	DO3	DO4	GND

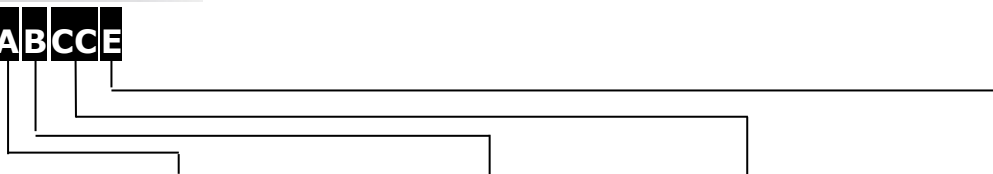
## Specifications

ORing WLAN Access Point Model	IGAP-6620+
<b>Physical Ports</b>	
10/100/1000Base-T(X) Ports	2
PoE P.D. port	Present at ETH2 Fully compliant with IEEE 802.3af Power Device specification Over load & short circuit protection Isolation Voltage: 1000 VDC min. Isolation Resistance : 10 <sup>8</sup> ohms min
5-Pin Terminal Block	2(DI x 4 and DO x 4)
<b>WLAN interface</b>	
Operating Mode	Dual AP/Dual Client /Bridge /AP-Client Mode
Antenna Connector	4 x External reverse SMA antenna connector
Radio Frequency Type	DSSS, OFDM
Modulation	IEEE802.11a : OFDM with BPSK, QPSK, QAM, 64QAM IEEE802.11b: CCK, DQPSK, DBPSK IEEE802.11g: OFDM with BPSK, QPSK, 16QAM, 64QAM IEEE802.11n : BPSK, QPSK, 16-QAM, 64-QAM
Frequency Band	America / FCC : 2.412~2.462 GHz (11 channels) 5.180~5.240 GHz & 5.745~5.825 GHz ( 9 channels ) Europe CE / ETSI : 2.412~2.472 Ghz (13 channels) 5.180~5.240 GHz (4 channels)
Transmission Rate	IEEE802.11b: 1 / 2 / 5.5 / 11 Mbps IEEE802.11a/g: 6 / 9 / 12 / 18 / 24 / 36 / 48 / 54 Mbps IEEE801.11n: up to 300Mbps
Transmit Power	802.11a: 12dBm ± 1.5dBm 802.11b: 17dBm ± 1.5dBm 802.11g: 16dBm ± 1.5dBm 802.11gn HT20: 15dBm ± 1.5dBm@150Mbps 802.11gn HT40: 14dBm ± 1.5dBm@300Mbps 802.11an HT20: 12dBm ± 1.5dBm@150Mbps 802.11an HT40: 11dBm ± 1.5dBm@300Mbps
Receiver Sensitivity	802.11a: -76dBm ±2dBm@54Mbps 802.11b: -85dBm ±2dBm@11Mbps 802.11g: -76dBm ±2dBm@54Mbps 802.11gn HT20: -75dBm ±2dBm@150Mbps 802.11gn HT40: -72dBm ±2dBm@300Mbps 802.11an HT20: -74dBm ±2dBm@150Mbps 802.11an HT40: -71dBm ±2dBm@300Mbps
Encryption Security	WEP: (64-bit ,128-bit key supported) WPA/WPA2 :802.11i(WEP and AES encryption) WPAPSK (256-bit key pre-shared key supported) 802.1X Authentication supported TKIP encryption
Wireless Security	SSID broadcast disable and enable
<b>Protocol Support</b>	

Protocol	ARP,BOOTP, DHCP, DNS, HTTP, IP, ICMP, SNMP, TCP, UDP, RADIUS, SNMP, STP, RSTP,
<b>LED indicators</b>	
Power indicator	3 x LEDs, PWR1(2)(PoE) / Ready: Red On : Power is on and booting up Green On : Power is on and functioning Normal
10/100/1000Base-T(X) indicator	2 x LEDs, LNK/ACT:Green for port Act. Speed: Green for port Link at 1000Mbps Amber for port Link at 100Mbps. Off for port Link at 10Mbps
WLAN LED	2 x Green Solid On: RF on, Blink: data transmitting 2 x Green for WLAN work on 2.4GHz 2 x Green for WLAN work on 5GHz
<b>Power</b>	
Input power	Dual DC inputs. 12~48VDC on 6-pin terminal block
Power consumption (Typ.)	11 Watt
<b>Physical Characteristic</b>	
Enclosure	IP-30
Dimension (W x D x H)	74.3(W) x 109.2(D) x 153.6(H) mm (2.93 x 4.3 x 6.05 inch.)
Weight (g)	1250g
<b>Environmental</b>	
Storage Temperature	-40 to 85°C (-40 to 185°F)
Operating Temperature	-25 to 70°C (-13 to 158°F)
Operating Humidity	5 to 95% Non-condensing
<b>Regulatory approvals</b>	
EMI	FCC Part 15, CISPR (EN55022) class A, EN50155 (EN50121-3-2, EN55011, EN50121-4)
EMS	EN61000-4-2 (ESD), EN61000-4-3 (RS), EN61000-4-4 (EFT), EN61000-4-5 (Surge), EN61000-4-6 (CS), EN61000-4-8, EN61000-4-11
Shock	IEC60068-2-27, EN61373
Free Fall	IEC60068-2-32
Vibration	IEC60068-2-6
Safety	EN60950-1
<b>Warranty</b>	5 years

## Ordering Information

**IGAP-ABCCE**



Code Definition	1 <sup>st</sup> Wireless Mode	2 <sup>nd</sup> Wireless Mode	Giga Ethernet Port Number	PoE Identification
<b>Option</b>	1: 802.11 b/g 2: 802.11 a 3: 802.11 a/b/g 4: 802.11 b/g/n 5: 802.11 a/n 6: 802.11 a/b/g/n	1: 802.11 b/g 2: 802.11 a 3: 802.11 a/b/g 4: 802.11 b/g/n 5: 802.11 a/n 6: 802.11 a/b/g/n	2: 2 ports	+ : PoE P.D. present at ETH2

Model Name	Description
------------	-------------

<b>Available Model</b>	<b>IGAP-6620+_US</b>	Industrial Outdoor Dual RF in IEEE 802.11 a/b/g/n wireless access point with 2x10/100/1000Base-T(X) PoE P.D., US band
	<b>IGAP-6620+_EU</b>	Industrial Outdoor Dual RF in IEEE 802.11 a/b/g/n wireless access point with 2x10/100/1000Base-T(X) PoE P.D., EU band

## Packing List

- **IGAP-6620+ x 1**
- **Pole Mount Kit x 1**
- **CD x 1**
- **Antenna x 4**
- **Quick Installation Guide x 1**

# Mouser Electronics

Authorized Distributor

Click to View Pricing, Inventory, Delivery & Lifecycle Information:

ORing:

[IGAP-6620+](#) [IGAP-6620+\\_EU](#) [IGAP-6620+\\_US](#)